

AMHP-250-UPD Series

CLEAN COMFORT™
INDOOR AIR ESSENTIALS

Description

This Clean Comfort™ product offers five stages of air treatment for outstanding cleaning and sterilization of air in the home. The AMHP-250-UPD combines HEPA particulate filtration, non-ozone producing UVC germicidal light for deactivation of viruses, bacteria and molds, photocatalytic oxidation for reduction of airborne chemicals, and activated carbon / potassium permanganate odor absorption - all in one air treatment system.

Standard Features

- Carbon VOC Prefilter extends the life of the HEPA filter by removing lint, hair and larger particles from the home's air
- Long-life, HEPA media filter removes 99.97% of all airborne particles 0.3 micron (1/84,000 of an inch) and larger
- Two UVC germicidal lamps are enclosed in a reflecting chamber which intensifies the UVC rays
- CinQuartz® photocatalytic oxidation (PCO) filter has a very high surface exchange capability. Because of the PCO filter's structure, the unit's UVC light penetrates the thickness of the filter material allowing decomposition of any airborne chemicals throughout the entire CinQuartz filter instead of just on the surface
- Carbon/ Potassium Permanganate final filter removes trace Volatile Organic Compounds (VOC's) and light gases that are too small to be caught with the HEPA filter or the PCO filter
- Powerful European motor delivers up to 250 CFM of pure air, without adding static pressure to the HVAC system
- This air treatment system includes a power cord that conveniently plugs into a standard power outlet
- Versatile installation: The unit can be duct-mounted, collar-mounted or used as standalone unit in the living space of the home

Cabinet Construction Features

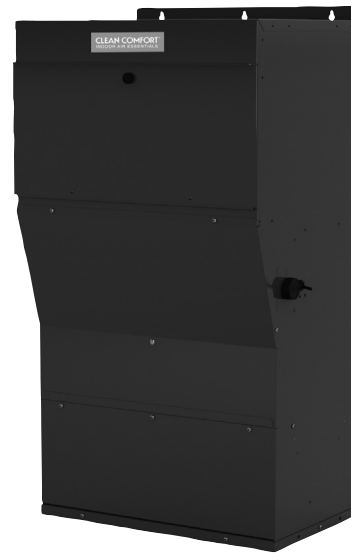
- One-piece wrap, steel cabinet has powder coat paint finish; provides rigid installation and durability
- Pre-punched openings at back of unit and mounting template are provided for easier duct-mount installation; no external ducting required.
- Pre-punched openings at top and bottom of unit facilitate collar-mount installation



* Warranty doesn't apply to Carbon VOC Prefilter, HEPA Filter, CinQuartz™ Photo Catalytic Oxidation Filter or the Carbon/Potassium Permanganate After Filter. Other exceptions apply. Complete warranty details available from your local dealer or at www.cleancomfort.com.

† Replacement frequency may vary based on conditions in the home.

WHOLE-HOUSE FIVE STAGE HEPA AIR CLEANER WITH ULTRAVIOLET LIGHT AND PHOTOCATALYTIC FILTER MODEL AMHP-250-UPD

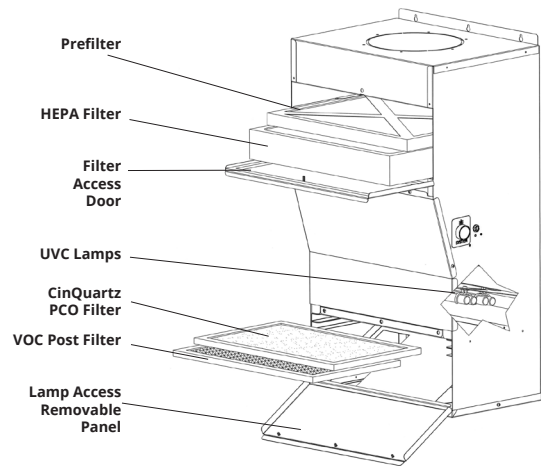


Maintenance Parts

Part Number	Description	Replacement Frequency†
AMP-DM900-0855	Prefilter	3-6 months
AMP-DMH4-0400	HEPA Filter	2-3 years
AMP-DM900-0450	PCO Filter	2-3 years
AMP-DM900-0810	Final Filter	1 year
AMP-DM900-0191	UVC Lamp (2 required)	2 years
AMP-DM900-1002	UVC Lamp / PCO Maintenance Kit Kit contains two UVC lamps, two lamp support clips, one PCO filter and gloves.	
AMP-DM900-1003	Complete Two-Year Maintenance Kit Contains one HEPA filter, four carbon VOC prefilters, two UVC lamps, one PCO filter, two carbon/potassium permanganate final filters, and gloves.	

AMHP-250-UPD

Specifications	
Cabinet Dimensions (H X W X D)	29-½ in X 16-¼ in X 12-¾ in [74.9 cm X 41.3 cm X 32.4 cm]
Inlet Port Dimensions (H X W X D)	14-½ x 3-¾ in or 8 in (dia) [36.8 x 9.5 cm or 20.3 cm (dia)]
Outlet Port Dimensions (H X W X D)	14-½ x 4-¾ in or 8 in (dia) [36.8 x 11.1 cm or 20.3 cm (dia)]
Unit Weight	47 lbs [21.3 kg]
Input Voltage	120 VAC, 60 Hz
Power Consumption	200 W
Airflow, Variable speed control	Up to 250 CFM [425 m³/hr]
Cabinet	22 gauge
Power Cord	9.0 ft [2.7 m]
Ultraviolet Power (in Reflector)	>10,000 µW/cm²
HEPA Collecting Surface Area	40 ft² [3.7 m²]



How It Works

The AMHP-250-UPD air cleaner has been designed to be installed on the return air duct. A portion of this return air is drawn in through an opening on the rear or top of the unit and then through five stages of air treatment before returning the air to home's return air duct.

1. First, the air passes through a pleated carbon VOC prefilter to remove lint, large particles and heavy-weight gases to extend the life of the HEPA and PCO filter.
2. Smaller particles then pass through a long-life, 99.97% HEPA media filter, which captures particles 0.3 micron (1/84,000 of an inch) and larger. This HEPA filter has more than 40 ft² of collection surface area.
3. The clean air passes through a reflection chamber where two high-output ultraviolet (C band) germicidal lamps emit powerful UVC light rays that are designed to deactivate or inhibit bacteria, viruses, mold, fungi, and microbial growth.

These are non-ozone producing lamps. The ultraviolet light is also used to activate the CinQuartz™ media located below the UVC lamps.

4. The CinQuartz™ PCO filter is a quartz media coated with nanoparticles of titanium dioxide (TiO₂). The combined action of the UVC light and the TiO₂ decomposes volatile organic compounds (VOCs) into basic molecules such as H₂O and CO₂, thereby reducing odors and airborne chemicals in the process.
5. In the last stage of treatment, the air passes through a final filter containing a mixture of activated carbon and potassium permanganate to further reduce odors and light gases. Treated air is

discharged back into the return air duct.

Although the AMHP only treats a portion of your home's air at a time, it can treat all the air in a 2,000 square foot home in just over an hour of operation when running continuously on full speed.

The very large collection surface area of the HEPA filter (40 ft²) ensures a long service life: up to 2-3 years, based on conditions in the home.

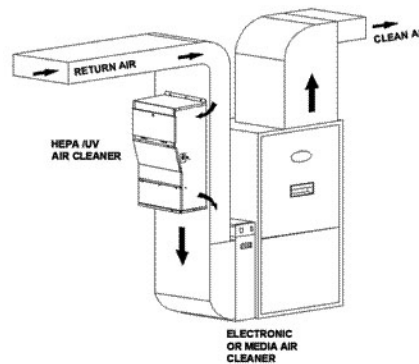


Figure 1: Duct-Mount Installation

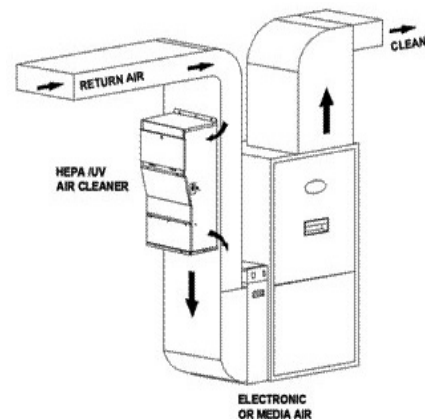


Figure 2: Collar-Mount Installation

TECHNICAL SUPPORT • 1-800-267-8305 • www.cleancomfort.com

Our continuing commitment to quality products may mean a change in specifications without notice.
 © 2015 **DAIKIN NORTH AMERICA LLC** • Houston, Texas • Printed in the USA.